



LEFROY BROOKS

1 8 2 8 T R O U T M A N S T R E E T
R I D G E W O O D N E W Y O R K N Y 1 1 3 8 5 U S A
T: +1(718) 302 5292 F: +1(718) 302 4177

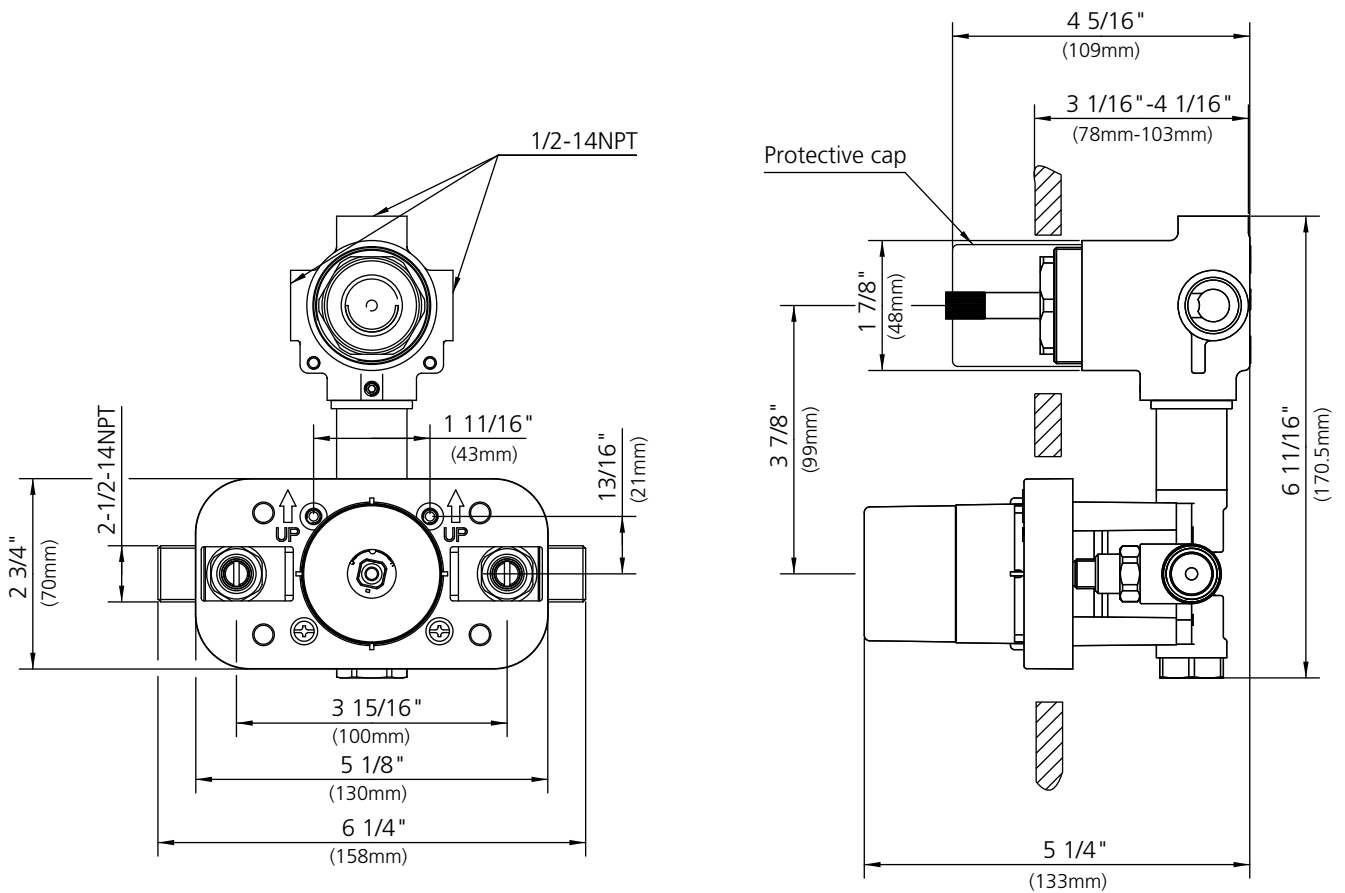
K1-4102

TWO HANDLE PRESSURE BALANCE ROUGH WITH 3-WAY DIVERTER,
TO SUIT K1-4304 & K1-4305

DIMENSIONAL DATA SHEET

DATE: 08 March 2010

No: A661076



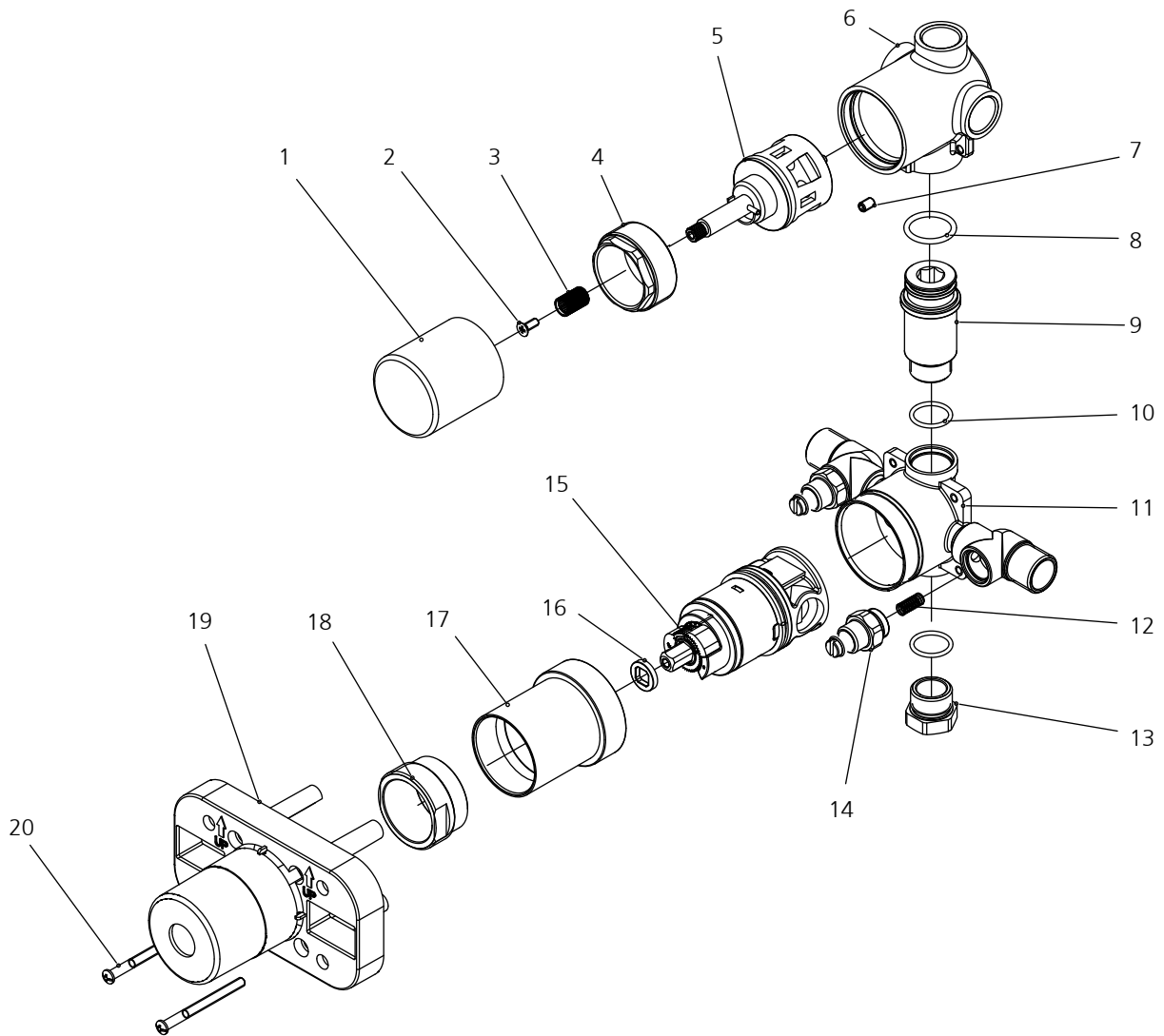
©COPYRIGHT 2009. CHRISTO LEFROY BROOKS. ALL RIGHTS RESERVED.

DIMENSIONS IN INCHES & MILLIMETRES

WHILST EVERY EFFORT IS MADE TO ENSURE THE ACCURACY OF THESE DATA SHEETS THEY ARE SUBJECT TO CHANGE WITHOUT NOTICE AS PART OF THE COMPANY'S PRODUCT DEVELOPMENT PROCESS

K1-4102

TWO HANDLE PRESSURE BALANCE ROUGH WITH 3-WAY DIVERTER, TO SUIT K1-4304 & K1-4305

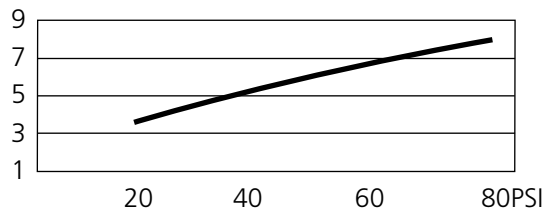


- | | | | |
|----|-------------------------|----|---|
| 1 | Protective cap (038009) | 11 | Body (061847) |
| 2 | Screw (292564) | 12 | Spring (005006) |
| 3 | Adaptor (057673) | 13 | Plug (028599) |
| 4 | Adjusting ring (104316) | 14 | Cartridge sub-assembly (507037) |
| 5 | Cartridge (024545) | 15 | Cartridge assembly and Base assembly (507655) |
| 6 | Body (002572) | 16 | Washer (013182) |
| 7 | Set screw (075039) | 17 | Sleeve (041723) |
| 8 | O-ring (004518) | 18 | Adjusting ring (104288) |
| 9 | Adaptor (067814) | 19 | Plaster guard (127212) |
| 10 | O-ring (004074N) | 20 | Screw (008241) |

Standards

IAPMO/cUPC Listed
Meets A112.18.1
Meets ASSE 1016

Flow Rate



Please note :

Final achievable flow rate is dependent on the outlets fitted, see relevant outlets (spouts, roses, sprays) for fully assembled product flow rate.